



OWNERS MANUAL AND
WARRANTY REGISTRATION
FOR THE MERLIN APEX

Merlin Bows-Bull In The Hollow-Leicester Road-Loughborough-LE12 8UE-England
Phone 01509 233555 Fax 01509 235252 Email info@merlin-bows.co.uk
Web www.merlin-bows.co.uk

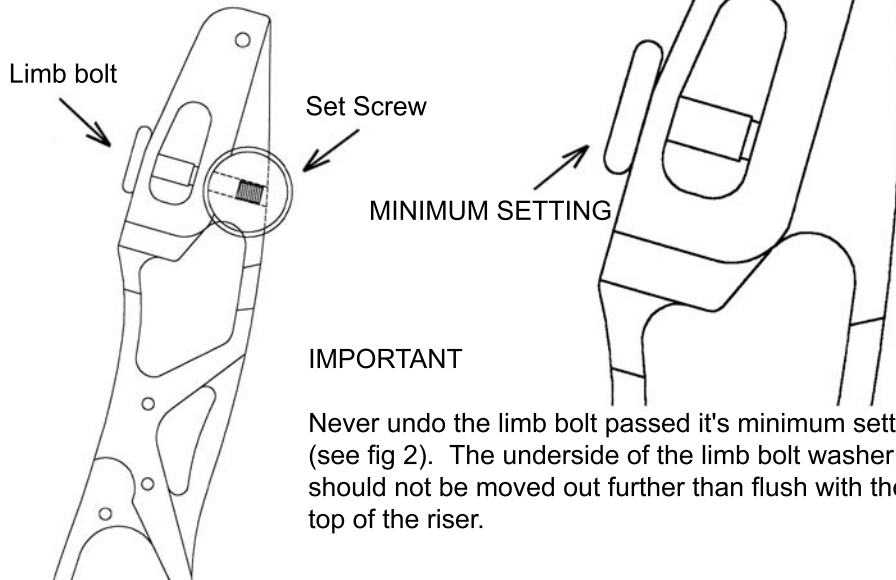
TILLER AND POUNDAGE ADJUSTMENT

To adjust the poundage and tiller, first undo the set screw and unwind 2-3 turns.

(fig 2)

Then turn anti-clockwise to reduce poundage or increase tiller, clockwise to increase poundage or reduce tiller.

When poundage and tiller have been set, tighten set screw.



(fig 1)

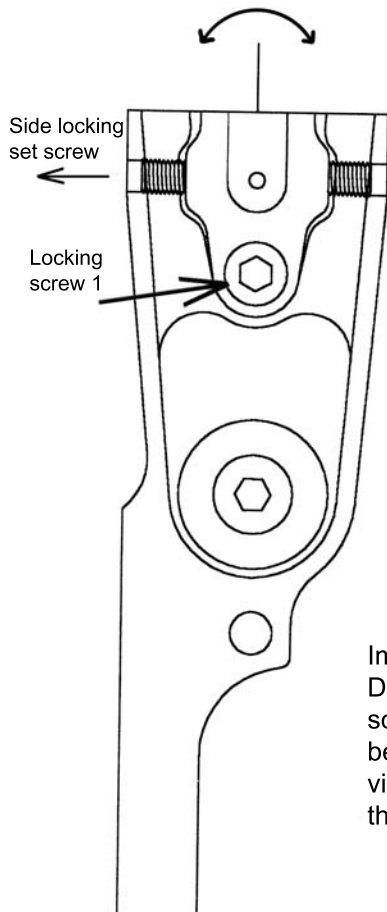
CENTRE SHOT AND LIMB ALIGNMENT

The Apex riser is equipped with a precise limb adjustment mechanism to allow you to achieve perfect limb to riser alignment.

First, undo locking screw 1, and undo 1/2 turn. Reassemble the bow, and without drawing, line up the string with the centre line of the riser. (see fig 4)

If an adjustment is needed, with the bow strung, undo one of the side locking set screws 1/2 a turn. Then tighten up the opposite locking screw the same 1/2 turn.

This will slide the limb across and change the alignment. Only small adjustments should be needed.



(fig 3)

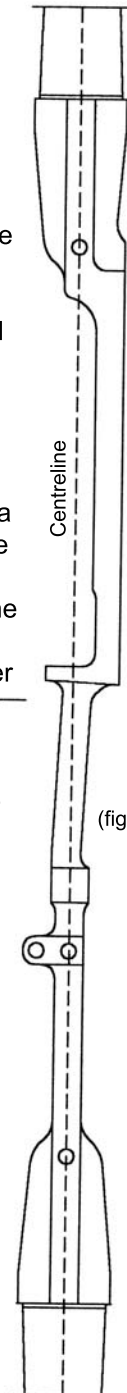
When aligning the string with the riser, also align with the stabiliser. This prevents setting the limbs in a position that is not parallel with the bow. If both limb tips have been accidentally adjusted to point to the left, then when aligned with the centreline of the riser, the stabiliser will also point to the left.

If this happens, remove the limbs and set the brass adjuster back to centre.

When the correct alignment is achieved, remove the limbs and retighten lock screw 1.

Important.

Do not over tighten the two side locking screws. A special formula adhesive has been used to prevent the screws from vibrating loose. Over tightening will damage the brass adjuster.



(fig 4)

WARRANTY REGISTRATION

Please fill in the following information and return this form to us. The warranty registration must be completed and mailed to us within 30 days of the purchase date to validate your warranty.

Sold to:- _____ **Date:** _____

Address _____

Dealer Name: _____

Model: _____ **Serial No:** _____

**Merlin Outdoors Ltd-Bull In The Hollow- Leicester Road-Loughborough
LE12 8UE- England**



WARRANTY REGISTRATION

Your copy. Please keep this for your records, and present it to an authorised Merlin dealer for warranty work.

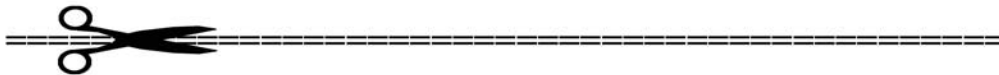
Sold to:- _____ **Date:** _____

Address _____

Dealer Name: _____

Model: _____ **Serial No:** _____

**Merlin Outdoors Ltd-Bull In The Hollow- Leicester Road-Loughborough
LE12 8UE- England**



WARRANTY DETAILS

Each Merlin APEX riser is warranted to be free from defects in workmanship or materials for a period of 3 years commencing from the date of purchase. After 3 years, Merlin will replace or repair at a 50% reduction from the manufacturers recommended retail price.

The warranty is only extended to the original consumer purchaser and shall commence at the date of purchase.

For this warranty to be valid the original purchaser must return the warranty registration slip within 30 days of purchase.

Keep this half of the warranty registration card and proof of purchase in a safe place, as both will be required if warranty work is needed.

The warranty does not apply to threads, bushes, cosmetics, damage caused by misuse, mishandling, negligence in use or maintenance or if any modifications have been made to the bow.